



SPIN-ONS

SPIN-ON ELEMENTS

40/41 SERIES

FLOWS TO 70 GPM • OPERATING PRESSURE TO 100 PSI

SPECIFICATIONS/NOTES

Operating Pressure	100 psi max (6.9 Bar)
Burst Pressure	300 psi (20.7 Bar) per NFPA/T2.61 RI - 1991
Temperature Range	-45°F to 225°F (-43°C to 107°C)
Seals	Nitrile (standard). For all other seals, consult factory.
Fluid	Hydraulic and Lube Oils (petroleum based) (Consult factory for synthetic fluids)
Thread Size	1.50" - 16 UNF - 2B
Sealing Diameter	4.70" Diameter (119.4 mm)
Element Diameter	5.05" Diameter (128.3 mm)
Element Length	Standard: 6.98" (177.3 mm) Extended: 10.98" (278.9 mm)
Dry Weight (Element only)	Standard: 2.3 lbs (1.05 kg) Extended: 3.5 lbs (1.59 kg)
(Head only)	1lb. 6oz.



Purolator spin-on elements and heads are designed to fit most standard mobile hydraulic, off-highway, and process filtration applications. Purolator filter heads are made from die cast aluminum for durability. Spin-on elements are available in five standard filtration ratings: 10 and 25 micron nominal, 3 and 7 micron absolute, and 6.5 micron absolute (water absorptive media). These elements are available in a standard length of 7" long and an extended length of 11". Spin-on heads are available with optional pressure and vacuum gauges.



ORDERING AND DIMENSIONAL INFORMATION

40/41 SERIES SPIN-ON ELEMENTS

ELEMENT P/N



EXAMPLE P/N: 41 1 04

SERIES CODE	REMOVAL	DIAMETER	THREAD SIZE	PRESSURE	SEAL
40	Particulate	5.05"	1 1/2"-16UNF-2B	100psi	Nitrile
41	Water & Particulate				

LENGTH CODE	ELEMENT LENGTH	
	40 SERIES	41 SERIES
1	6.98"	6.98"
2	10.98"	10.98"

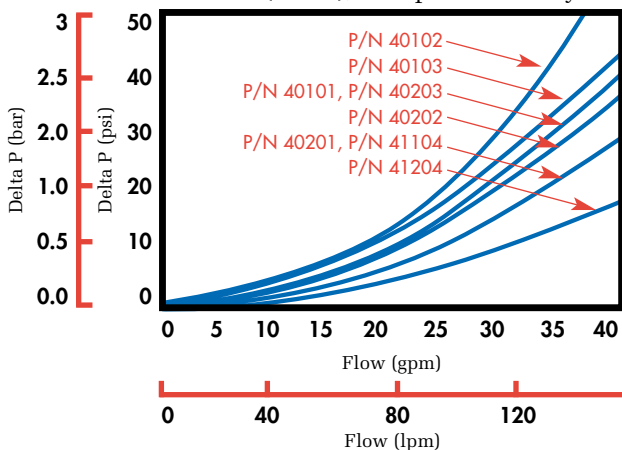
MEDIA CODE	MEDIA DESCRIPTION	
	40 SERIES	41 SERIES
01	10 µm Micropleat®*	N/A
02	25 µm Micropleat®*	N/A
03	7 µm Microfil® III**	N/A
04	N/A	6.5 µm Microsorb™***
05	3 µm Microfil® III**	N/A



* Micropleat® resin-impregnated cellulose media are available in 10 and 25 micron nominal ($\beta_x=2$).
 ** Microfil®III composite media, composed of fiberglass, organic and inorganic materials, are available in 3 and 7 micron absolute ($\beta_x \geq 75$).
 *** Microsorb™ water absorptive media are available in 6.5 micron absolute rating.

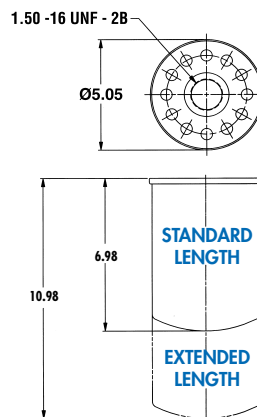
PRESSURE DROP INFORMATION

40/41 Series Clean Element Pressure Drop Using 150 SUS (32 cst), 0.9 Specific Gravity Fluid

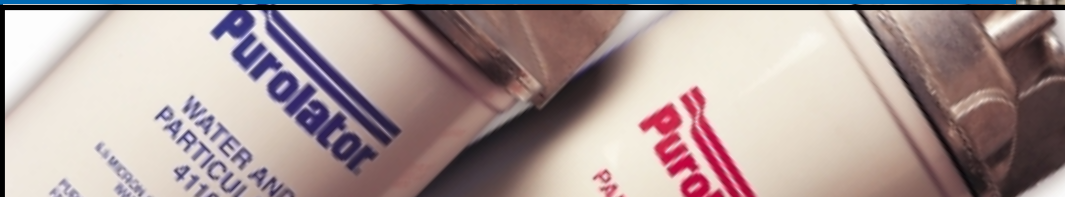


NOTE: For other fluids, multiply pressure drop from graph by new viscosity (centistokes) divided by old viscosity (32 centistokes).

DIMENSIONAL INFORMATION



All dimensions in inches. To convert to millimeters, multiply inches by 25.4.



SPIN-ON HEADS

40 SERIES

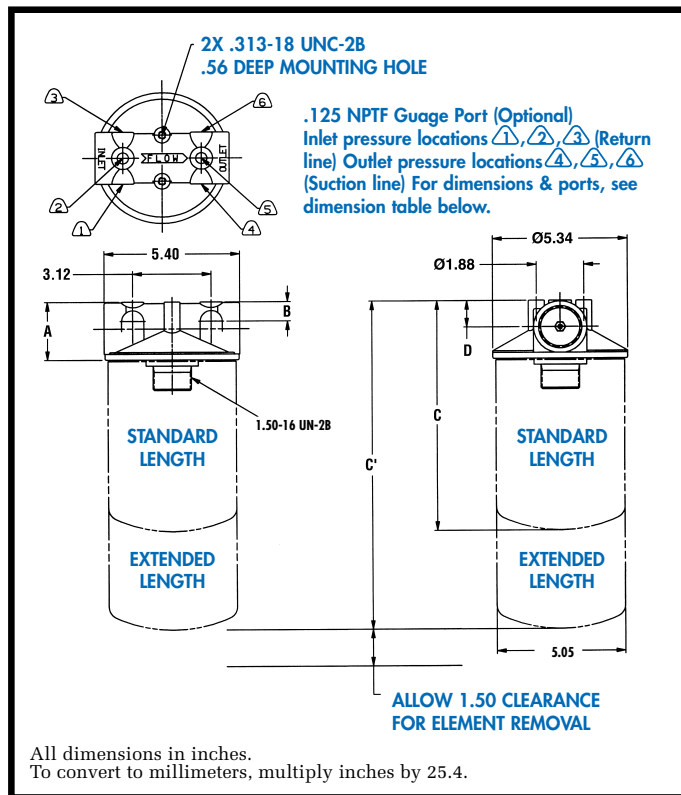
SPECIFICATIONS/NOTES

Operating Pressure 100 psi max operating (6.9 Bar)
WARNING: 80 psi max without bypass valve

Temperature Range -45°F to 225°F (-43°C to 107°C) Operating

Fluid Hydraulic and Lube Oils (petroleum based)
 (Consult factory for synthetic fluids)

Material Cast Aluminum Head



FLOW RATES (GPM)

HEAD CODE	SUCTION	RETURN LINE
R40016	15	40
R40020	25	70
R40100	15	40
R40125	25	70
R40150	32	80

DIMENSIONAL INFORMATION

FILTER HEADS FOR SERIES 40, 41 FILTER ELEMENTS
 (5.05" DIAMETER ELEMENT)

CODE	PORT TYPE	SIZE	DIM. "A"	DIM. "B"	DIM. "C"	DIM. "C1"	DIM. "D"
R40016	SAE-16	1 5/16" - 12UN-2B	2.00	.40	8.90	12.90	.90
R40020	SAE-20	1 5/8" - 12UN-2B	2.35	.79	9.30	13.30	1.08
R40100	NPTF	1"-NPTF	2.00	.40	8.90	12.90	.90
R40125	NPTF	1 1/4" -NPTF	2.35	.79	9.30	13.30	1.08
R40150	NPTF	1 1/2" - NPTF	2.80	1.1	9.7	13.7	1.3

Purolator Facet, Inc. • Made in USA
 8439 Triad Drive • Greensboro, NC 27409
 Tel: 800-852-4449 or 336-668-4444 • Fax: 336-668-4452
 Email: info@purolator-facet.com • Web site: www.purolator-facet.com



ORDERING AND DIMENSIONAL INFORMATION

40 SERIES SPIN-ON HEADS

SPIN-ON FILTER HEAD P/N



EXAMPLE P/N:
R40016 03 13

HEAD CODE
R40016
R40020
R40100
R40125
R40150



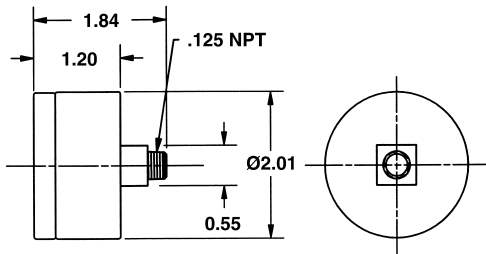
CODE	BYPASS VALVE SETTINGS
00	No Bypass
03	3 psi
05	5 psi
15	15 psi
25	25 psi
50	50 psi

CODE	GUAGE PORT LOCATION
0	No Port Required
1	Location 1* (INLET)
2	Location 2* (INLET)
3	Location 3* (INLET)
4	Location 4* (OUTLET)
5	Location 5* (OUTLET)
6	Location 6* (OUTLET)

* Multiple port gauge locations may be selected.
 Please enter in sequential order.

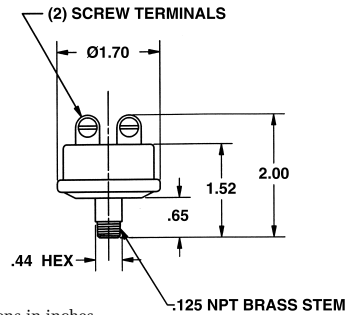
OPTIONAL ACCESSORIES

PRESSURE GAUGES



All dimensions in inches.
 To convert to millimeters, multiply by 25.4.

VACUUM AND INDICATOR SWITCHES



All dimensions in inches.
 To convert to millimeters, multiply by 25.4.

CODE	DESCRIPTION
1753107-03	Vacuum Gauge for use with 3 psi Bypass Valve (Suction Line Filters)
1753107-05	Vacuum Gauge for use with 5 psi Bypass Valve (Suction Line Filters)
1753107-15	Vacuum Gauge for use with 15 psi Bypass Valve (Return Line Filters)
1753107-25	Vacuum Gauge for use with 25 psi Bypass Valve (Return Line Filters)

CODE	DESCRIPTION
1753106-05	Vacuum Switch Set to Activate a Panel Light at 5" Hg. (For use on Filter with a 3 psi Bypass Valve Setting)
1753106-10	Vacuum Switch Set to Activate a Panel Light at 10" Hg. (For use on Filter with a 5 psi Bypass Valve Setting)
1753106-15	Pressure Switch Set to Activate a Panel Light at 15 psi. (For use on Filter with a 15 psi Bypass Valve Setting)
1753106-25	Pressure Switch Set to Activate a Panel Light at 25 psi. (For use on Filter with a 25 psi Bypass Valve Setting)
1753106-40	Pressure Switch Set to Activate a Panel Light at 40 psi. (For use on Filter with a 40 psi Bypass Valve Setting)
1753106-01	Optional Rubber Weather Cover